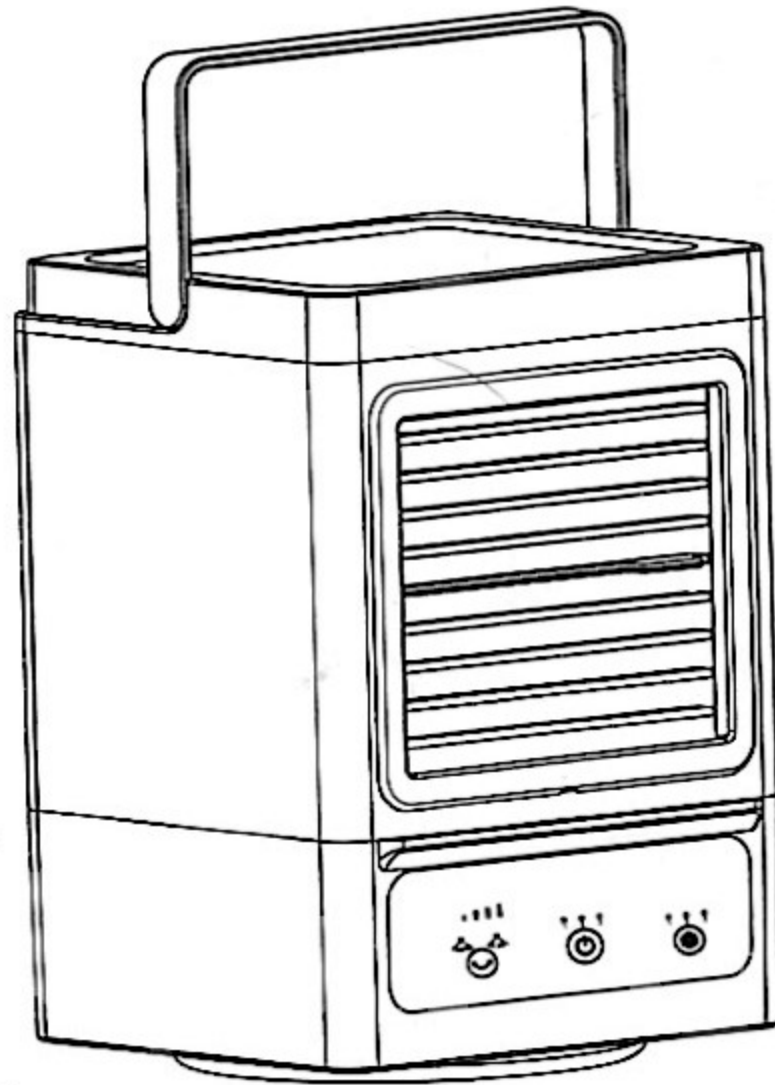


Air cooler

User Manual L06



Specifications

Total Output Power: 10W

Input Power: 5V-2A

Working Power: 7.5W

Tank Volume: 700ML/23.67 Fl Oz

Cooling Effect: (Tested with the maximum spraying volume and the maximum cooling value)

Executive Standard: ASTM F963/CPSIA(US)

0-0.5 meters away from the air outlet: drop ≈ 8 °C/46.4°F

0.5-1 meters away from the air outlet: drop ≈ 6 °C/42.8°F

1-1.5 meters away from the air outlet: drop ≈ 4 °C/39.2°F

Charging Time: 3-4 hours (tested with 5V-2A charger)

Battery Working Time

The maximum wind and the maximum refrigeration test: 3-4 hours

The minimum wind and the minimum refrigeration test: 8-9 hours

Water supply duration: (tested at 650ML/21.98 Fl Oz)

Gear 1: about 3 hours; gear 2: about 6 hours; gear 3: about 12 hours.

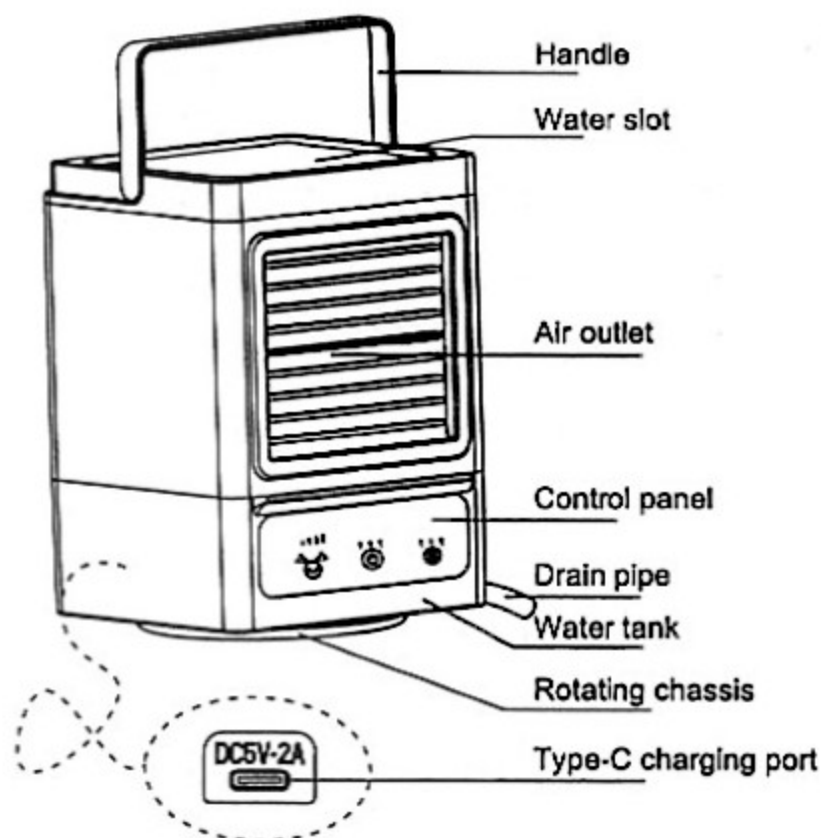
Material:ABS environment-friendly plastic

Battery capacity: 5000mAh

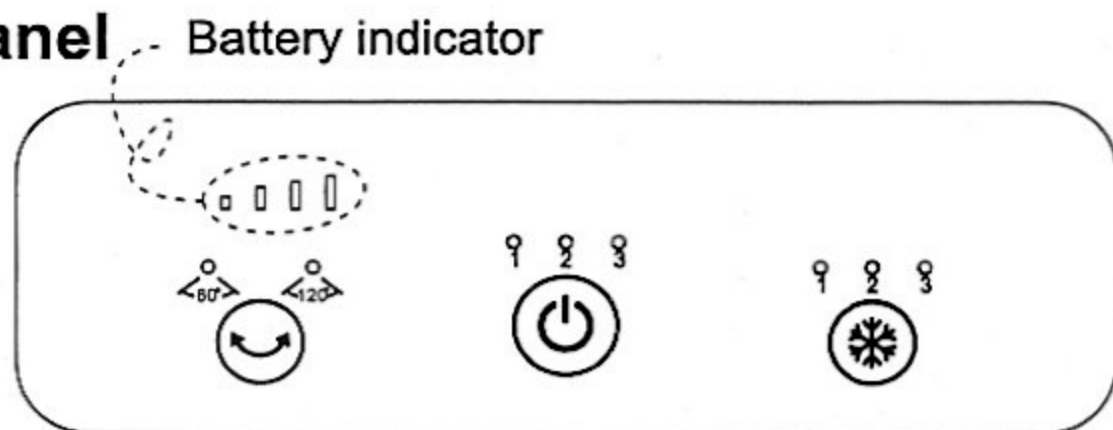
Product size: 156mm*145mm*230mm

Product weight: 1KG/2.2LBS






Structure



Control panel



User guide

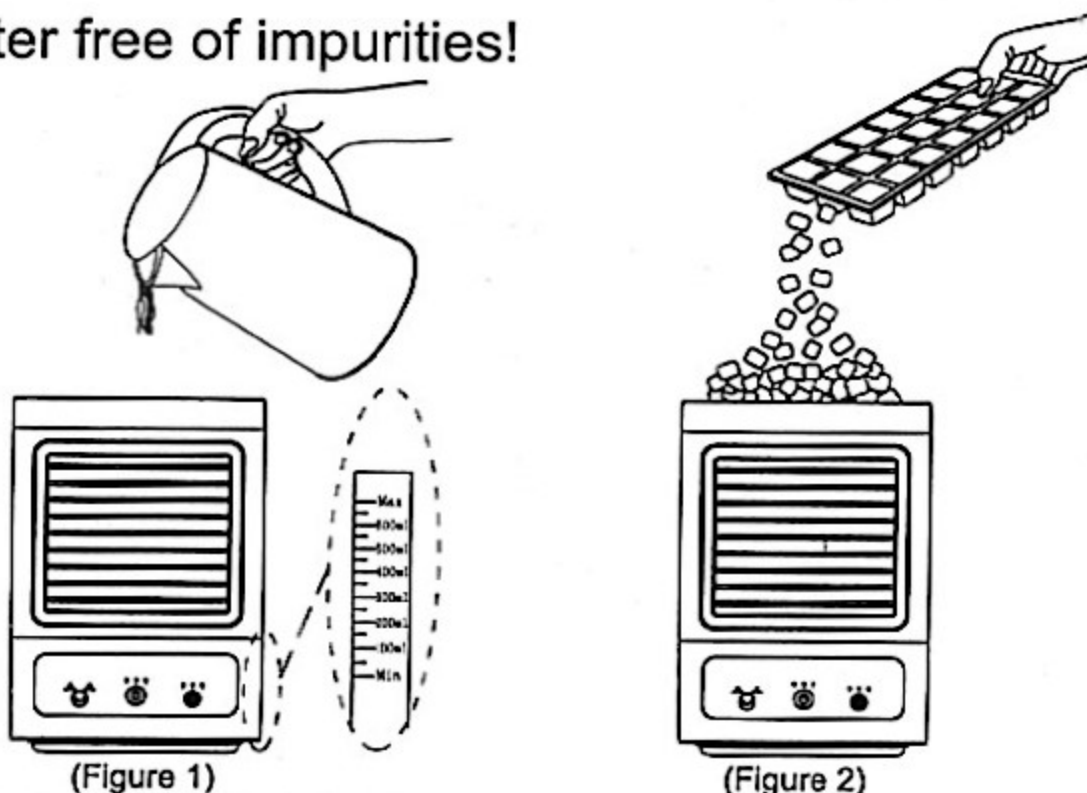
1. Turn on / off: short press the “” key (the default value is the 1st wind and the 1st refrigeration, i.e. the minimum wind and the maximum refrigeration).
2. Wind control: short press the on/off key “” to switch between the 1st, 2nd, 3rd gears, and the turn-off in sequence.
3. Refrigeration control: short press the on/off key “”, to switch between the 1st, 2nd, 3rd gears, and the turn-off (the refrigeration will be automatically turned off when the fan is off, and when the water level is low). Refrigeration will be automatically turned off after it running continuously for than 12 hours. Press the “” key to turn it on if needed.
4. Oscillation control: short press the on/off key “” to switch between the sway angles at 60 degrees, 120 degrees and the turn-off in sequence.
5. Please keep the product vertical when use it, tilting the product will cause the liquid in the water tank overflow.

Charging instructions

1. Charging Time: 3-4 hours (tested with 5V-2A charger; if output current of the charger lower than 5V-2A, the charging time will last longer)
2. When it is connected to a DC-5V power supply, the system will automatically turn on the function of charging: during charging, the corresponding battery indicator “ □ □ □ □ ” on the control panel will flash, and the 4 lights will be on when it is fully charged.
3. Battery indicator: The battery indicator “ □ □ □ □ ” shows the corresponding power capability; the four lights from left to right indicate a 25%, 50%, 75%, and 100% of power in sequence. When the power is almost exhausted, the first light on the left will blink to warn. Please charge in time.

Water Adding

Use only water free of impurities!



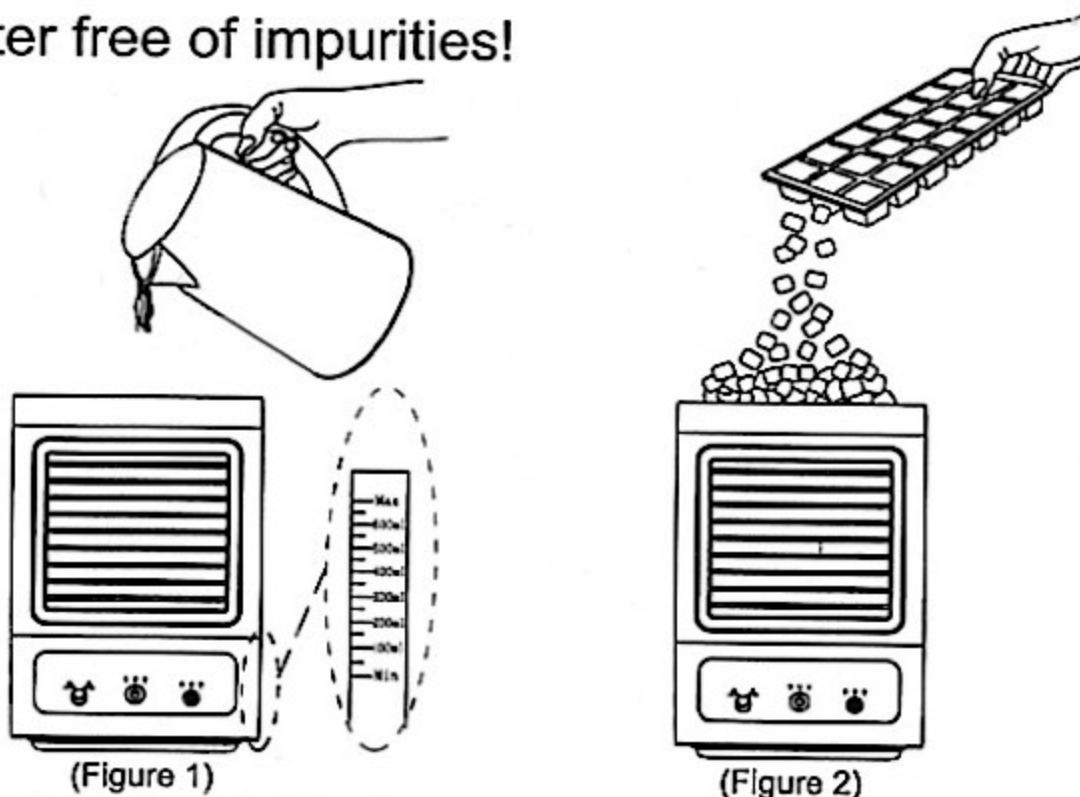
- Please pay attention to the scale on the right side of the product when filling the water, do not exceed the maximum scale (Figure 1)
- When adding ice cubes, please reduce the amount of water injection to avoid overflowing after the ice melts (Figure 2)

Charging instructions

1. Charging Time: 3-4 hours (tested with 5V-2A charger; if output current of the charger lower than 5V-2A, the charging time will last longer)
2. When it is connected to a DC-5V power supply, the system will automatically turn on the function of charging: during charging, the corresponding battery indicator “ □ □ □ □ ” on the control panel will flash, and the 4 lights will be on when it is fully charged.
3. Battery indicator: The battery indicator “ □ □ □ □ ” shows the corresponding power capability; the four lights from left to right indicate a 25%, 50%, 75%, and 100% of power in sequence. When the power is almost exhausted, the first light on the left will blink to warn. Please charge in time.

Water Adding

Use only water free of impurities!

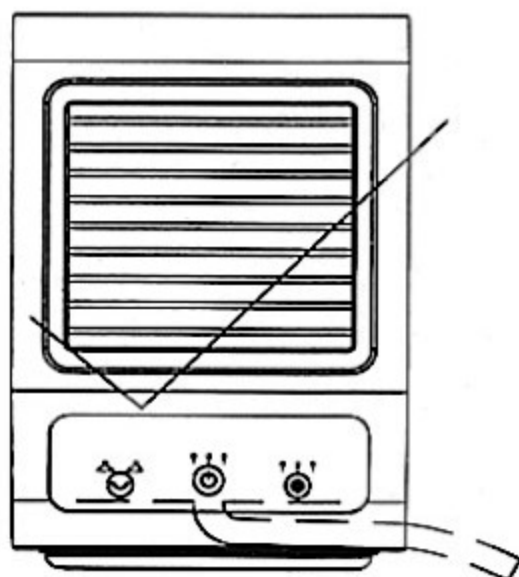


(Figure 1)

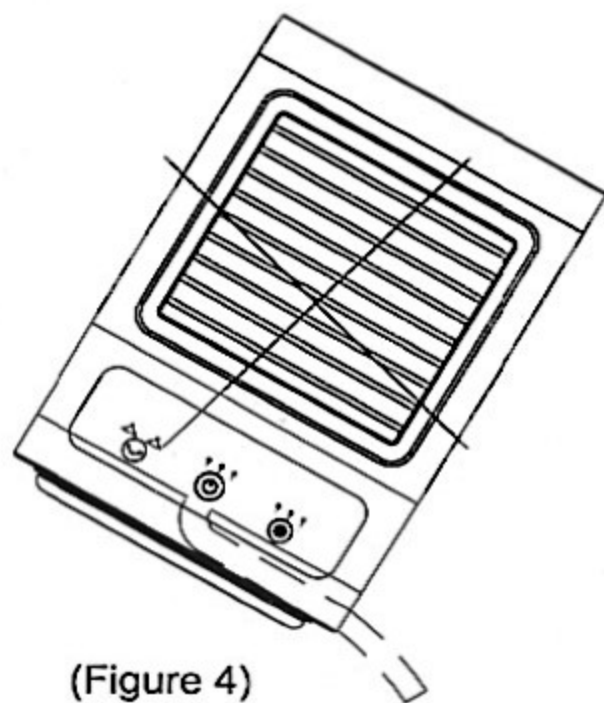
(Figure 2)

- Please pay attention to the scale on the right side of the product when filling the water, do not exceed the maximum scale (Figure 1)
- When adding ice cubes, please reduce the amount of water injection to avoid overflowing after the ice melts (Figure 2)

Water Draining



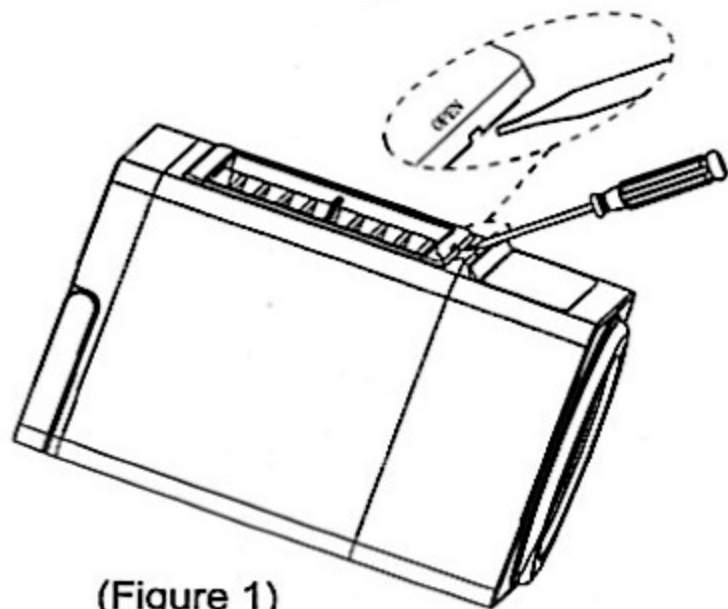
(Figure 3)



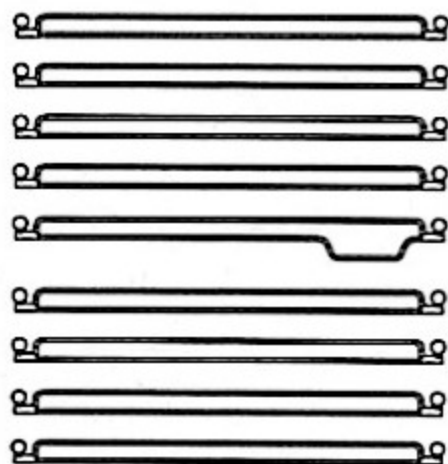
(Figure 4)

- The correct way to drain is to keep the product vertical (Figure 3)
- Tilting product drainage is incorrect (Figure 4)
- Please drain water when the product won't be used in a long time.

Front-net Cleaning



(Figure 1)

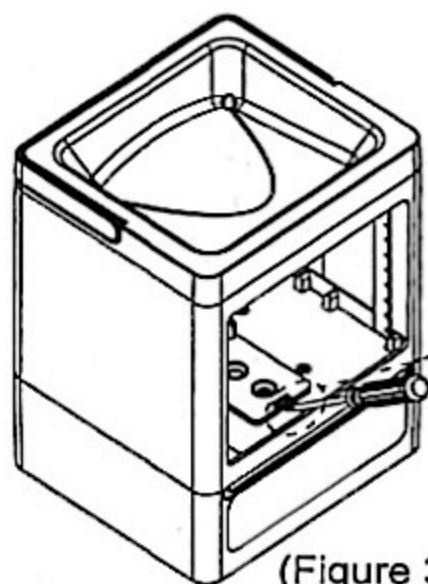


(Figure 2)

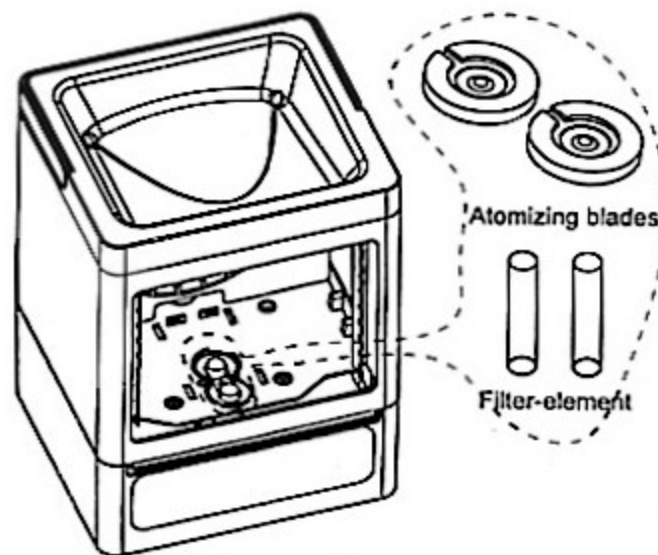
How to clean the air baffles

1. After draining, use a flat-blade screwdriver to pry open the frame with the "OPEN" notch below the frame (Figure 1).
2. Take out the 9 baffles (Figure 2),
3. After cleaning, reverse the steps of the disassembly operation to install

Filter-element Replacing



(Figure 3)

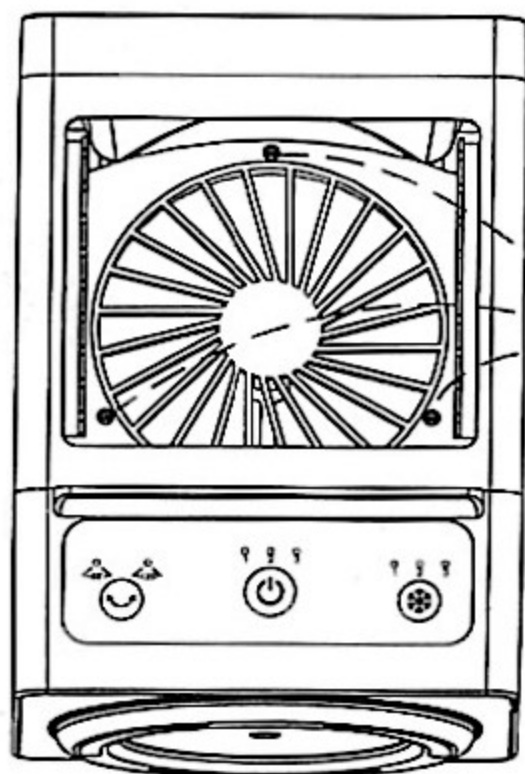


(Figure 4)

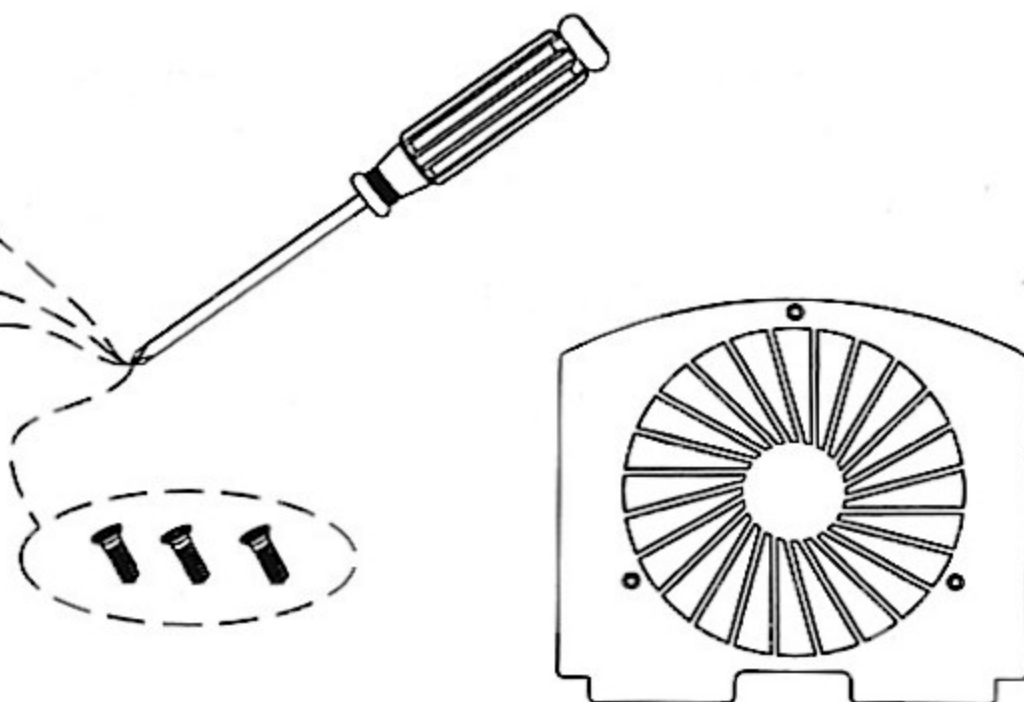
How to replace the filter element

1. After disassembling the air baffles, use a flat-blade screwdriver to pry the pressure lever at the "OPEN" notch in front of the pressure plate (figure 3)
2. Remove two atomizing blades and take out two filter elements (Figure 4).
3. After replacing the filter element, reverse the steps of the disassembly operation to install. Note that the direction of all atomizing blades shall be the center bump upward.

Partition and fan-vanes cleaning



(Figure 5)



Partition panel

(Figure 6)

1. After following the previous steps to disassemble the front net and the pressure plate, use a Phillips screwdriver to unscrew 3 screws (Figure 5)
2. Take out of the partition: clean the partition panel (Figure 6)
3. After cleaning the fan vanes with a damp cloth; reverse the steps of the disassembly operation to install.

Safety Precautions

1. Keep away from environment including high temperature, long-time exposure to the sun, fire, etc.
2. It is strictly forbidden to put the product into or near the fire source to avoid fire accident.
3. Do not disassemble, open, cut or puncture the product.
4. Keep the product in a location that is out of reach of children when charging.
5. When charging this product, please use a charger with an output of 5V-2A
6. Stop using the product immediately in case of abnormality during use.

Warning: This product shall not be given to children under 3 years of age!

Warranty card

Dear customer, thanks you for purchasing our company's products.

Please read the instruction manual and save it for future reference.

Please fill out the warranty card and place it in the mail.

| |
|-------------------|
| Customer name: |
| Address: |
| Date of purchase: |
| Phone number: |
| Email: |
| Product model#: |
| |



RoHS

